

# GINCOM TECHNOLOGY

P/N: GANA-520G20 Low Noise Amplifier

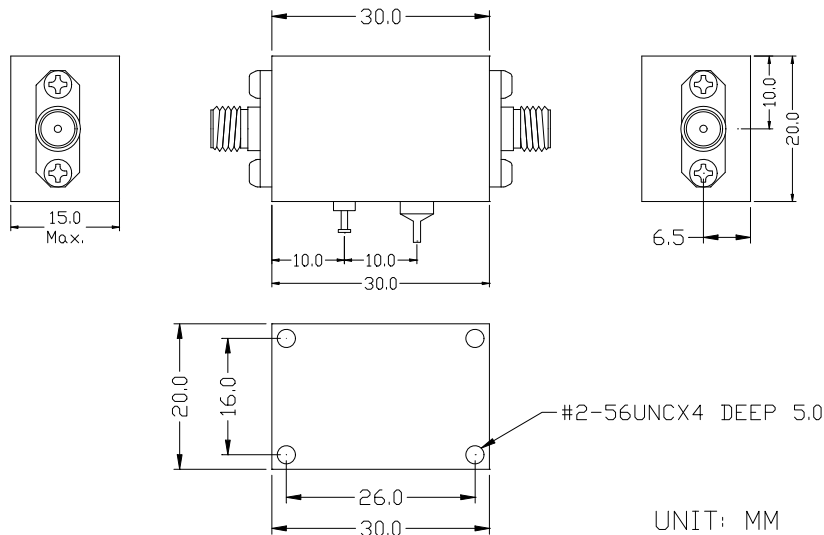
## 1. Electrical characteristics :

NO.	Item	Condition	Rating		
			MIN.	TYP.	MAX.
1	Center Frequency			550MHz	
2	Bandwidth			+/-10%	
3	Gain	Vcc = -54°C ~ +85°C	19dB	20dB	21 dB
4	Noise Figure	Vcc = -54°C ~ +85°C	-	1.5 dB	2.0 dB
5	1 dB Gain Compression Output	into 50Ω Load	+0 dBm	+3 dBm	-
6	I / P VSWR	Ref. to 50Ω	-	2.0	2.5
7	Limiter Protection	CW Peak	1W 100W	-	-
8	Supply Current	Vcc = +5V , Feed - in from RF O / P Port	-	20mA	30mA

## 2. Absolute maximum rating :

No.	Item	Condition	Rating	Unit
1	Supply voltage		-0.2 ~ +8.0	V
2	Operating temperature range		-54 ~ +85	°C
3	Storage temperature range		-54 ~ +100	°C

## 3. Mechanical Configuration :



## 4. Environmental Screening :

Temperature Cycling : -54°C to +100°C , 10 cycles.

Thermal Shock : -54°C to +105°C

Vibration : 20Hz to 2KHz , 8g , Random.