

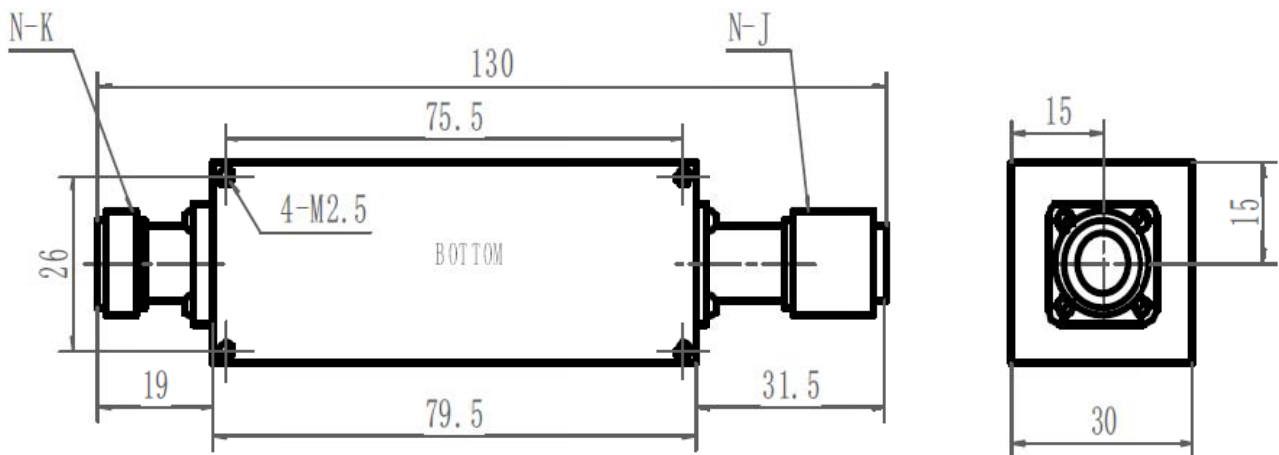
GINCOM TECHNOLOGY

LC Band Pass Filter

P/N: GIN1087.5-255UP75LN

1. Electrical Specifications	
Pass Band	960-1215MHz
Center Frequency	1087.5MHz
-0.5dB Bandwidth	≥ 255 MHz
Insertion loss	≤ 0.8 dB
Ripple	≤ 0.4 dB
Group Delay	≤ 20 ns
Rejection	≥ 35 dB @ 258-512MHz > 40 dB @ DC-210MHz
VSWR	1.5 max
Power	75W Avg.; 150W Peak, 50% duty Cycle
Impedance	50ohm
Input Connector	N-Female
Output Connector	N-Male
Operation Temperature	-40°C ~ +85°C
Storage Temperature	-55°C ~ +85°C

Outline Drawing :



Unit: mm