

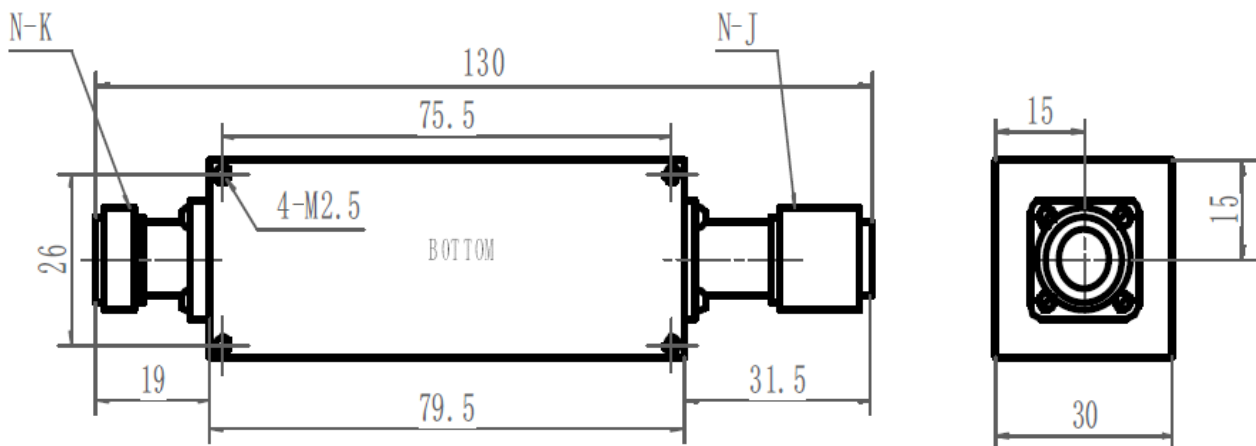
# GINCOM TECHNOLOGY

## LC Low Pass Filter

P/N: GIN210-75PLN

1. Electrical Specifications	
Pass Band	DC-210MHz
-0.8dB Cutoff Frequency	$\geq 210\text{MHz}$
Insertion loss	$\leq 0.8\text{dB}$
Ripple	$\leq 0.4\text{dB}$
Group Delay	$\leq 20\text{ns}$
Rejection	$\geq 35\text{dB @ } 258\text{-}512\text{MHz}$ $> 40\text{dB @ } 960\text{-}1215\text{MHz}$
VSWR	1.5 max
Power	75W Avg.; 150W Peak, 50% duty Cycle
Impedance	50ohm
Input Connector	N-Female
Output Connector	N-Male
Operation Temperature	$-40^{\circ}\text{C} \sim +85^{\circ}\text{C}$
Storage Temperature	$-55^{\circ}\text{C} \sim +85^{\circ}\text{C}$

## Outline Drawing :



Unit: mm