

GINCOM TECHNOLOGY

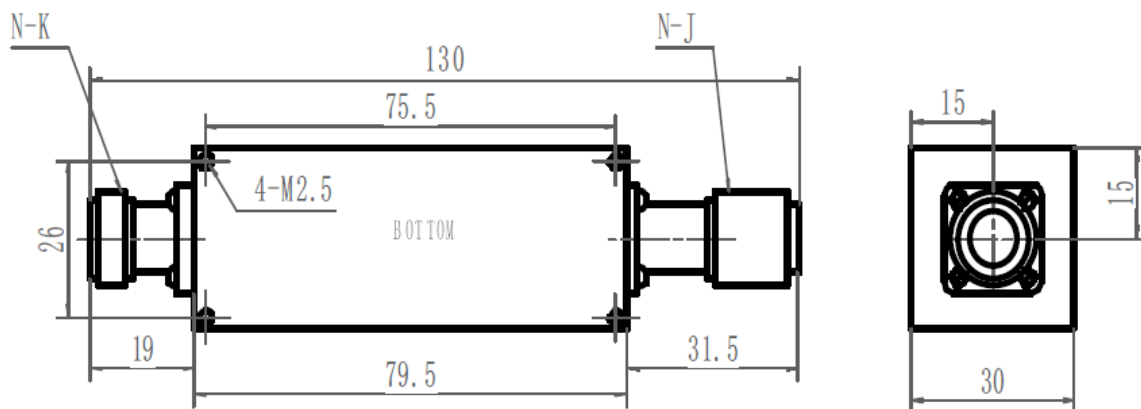
LC Band Pass Filter

P/N : GINBP374.5-279UP75LN

1. Electrical Specifications

Pass Band	235-514MHz
Center Frequency (f0)	374.5MHz
-0.5dB Pass Band	279MHz min
Insertion loss	1.7dB max
Ripple	0.5dB max
Rejection	35dB min @ DC-170MHz 6dB min @ 170-220MHz 35dB min @ 960-1215MHz
Group Delay	25ns max
VSWR	1.5 max
Power	150W Peak, 50% duty Cycle
Impedance	50ohm
Input Connector	N-Female
Output Connector	N-Male
Operation Temperature	-40°C ~ +85°C
Storage Temperature	-55°C ~ +85°C

2. Mechanical Specification (for reference)



Unit: mm